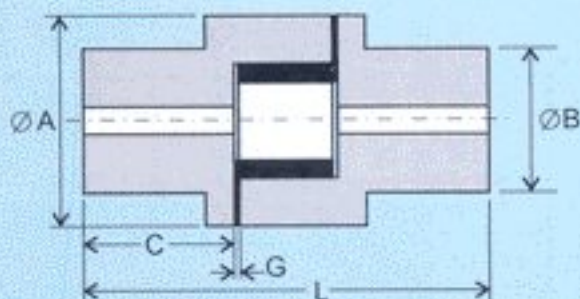


excel[®]

FLEXIBLE COUPLINGS

Programmed to perform



MODEL: XL SPIDER COUPLING

DIMENSIONAL SPECIFICATIONS

All Dimensions in mm

COUPLING SIZE	MATERIAL	OUTSIDE DIAMETER A	HUB DIAMETER B	LENGTH THROUGH BORE C	GAP BETWEEN HUBFACE G	OVERALL LENGTH L	BORE		RATED TORQUE Kg. Mtrs.
							PILOT	MAX.	
XL - 50	C.I./AL	27	--	15	1	42	--	16	0.3
XL - 70	C.I./AL	36	--	19	2	51	5	20	0.5
XL - 75	C.I./AL	44.5	39	21	2	55	5	22	1.1
XL - 95	C.I./AL	54	49	25	2	63	10	28	2.1
XL - 99	C.I./AL	65	51	27	2	72	10	32	3.6
XL - 100	C.I./AL	65	57	35	2	88	10	38	4.75
XL - 110	C.I.	85	76	43	3	108	10	42	9.0
XL - 150	C.I.	96	80	45	3	115	15	48	14.5
XL - 190	C.I.	115	102	54	3	133	15	55	19.4
XL - 225	C.I.	127	108	64	3	153	15	60	27.0

excel[®]
WITH TONNES OF TRUST

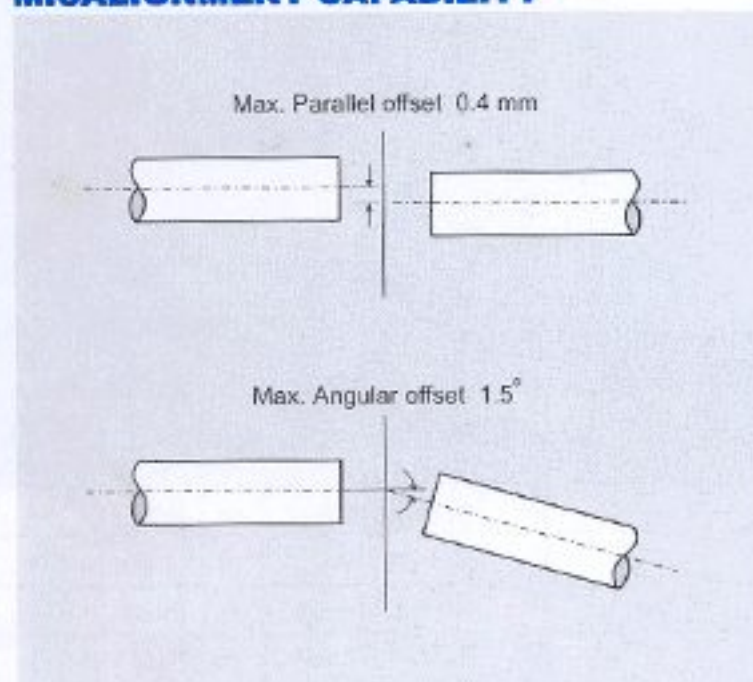
- Simple and economical design having inherent dynamic balance
- Easy and fast installation, easy alignment
- Very long service life, no lubrication required
- Made from best quality graded cast iron
- Spider made from high quality synthetic rubber - Buna - N
- Tested for 2.5 times rated torque
- Integrally mounted rubber spider (star) for extra strength and durability

SELECTION PROCEDURE

- Confirm Driver - Electric motor HP, RPM and Shaft dia. Driven - Equipment and shaft dia.
- Determine service factor by using service factor chart
- Multiply service factor by motor HP to obtain effective HP
- Select the coupling with the help of HP/RPM chart, effective HP and Coupling bore required
- If the required bore is not accommodated, select next higher size Coupling

$$HP = \frac{RPM \times \text{Torque (Kgm.)}}{716} \quad \text{Torque} = \frac{716 \times HP}{RPM}$$

MISALIGNMENT CAPABILITY



EXCEL FLEXIBLE JAW COUPLINGS

Horse Power capacity at varying speed (RPM) Based on uniform load					
COUPLING SIZE	MAX. BORE	RPM			
		100	1000	1500	3000
XL - 50	16	0.04	0.4	0.6	1.2
XL - 70	20	0.07	0.7	1.0	2.0
XL - 75	22	0.15	1.5	2.25	4.5
XL - 95	28	0.29	2.9	4.35	8.7
XL - 99	32	0.5	5.0	7.5	15.0
XL - 100	38	0.68	6.6	9.9	19.8
XL - 110	42	1.26	12.6	18.9	37.8
XL - 150	48	2.0	20.0	30.0	60.0
XL - 190	55	2.7	27.0	40.5	81.0
XL - 225	60	3.77	37.7	56.5	113.0
XL - 228	65	4.51	45.1	67.73	135.46
XL - 278	75	7.50	75.0	121.5	225
XL - 280	75	11.12	111.2	116.8	333.6
XL - 295	90	18.21	182.1	273.15	546.3
XL - 2955	100	30.36	303.6	455.4	-
XL - 300	100	43.39	433.8	650.7	-
XL - 350	115	61.33	613.3	920.0	-
XL - 3087	100	75.55	755.5	1133.2	-
XL - 3587	115	100.86	1008.6	1513.0	-
XL - 3887	125	141.00	1410.0	2115.0	-
XL - 4067	140	201.00	2018.0	3027.0	-
XL - 4567	150	272.00	2719.0	4078.5	-

Ratings based on Service Factor = 1

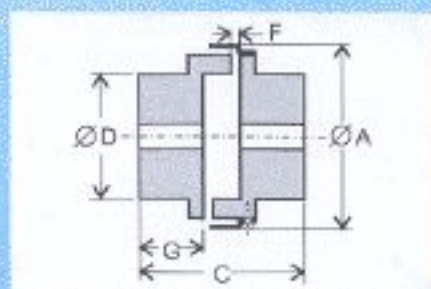
SERVICE FACTORS

TYPE OF LOAD	EXAMPLE OF LOAD	ELECTRIC MOTORS & STEAM TURBINES	DIESEL ENGINE	
			6 OR MORE CYLINDERS	LESS THAN 6 CYLINDERS
Light duty or uniform load	Generators Centrifugal pumps	1.0	1.5	2.0
Medium duty or varying load	Mixer, Machine tools, Bucket elevators	1.5	2.0	2.5
Heavy duty or shock load High starting torque	Compressors, Crushers, Hammer mills	2.0	2.5	3.0

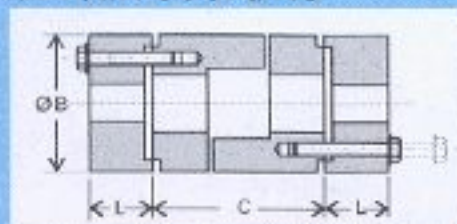
FLEXIBLE JAW COUPLINGS

MODEL: XL - SW SNAPWRAP COUPLING

COUPLING SIZE	BORE		OUTSIDE DIAMETER A	OVERALL LENGTH C	GAP BETWEEN JAW & BODY F	LENGTH THROUGH BORE G	HUB DIAMETER D
	PILOT BORE MM	MAX BORE MM					
XL-SW 95	10	28	64	63	2	25	49
XL-SW 100	10	38	77	88	2	35	57
XL-SW 110	15	42	95	108	3	43	76
XL-SW 150	15	48	110	115	3	45	80
XL-SW 190	15	55	128	133	3	54	102
XL-SW 225	15	60	141	153	3	64	108



MODEL: XL - SCI SPACER COUPLING

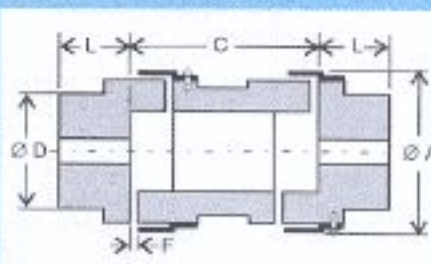


COUPLING SIZE	BORE		DISTANCE BETWEEN SHAFTS C	SPACER O. D. B	ADAPTER LENGTH L
	PILOT BORE MM	MAX BORE			
XL-SCI 95	10	- 28	90/100	54	25
XL-SCI 100	10	- 38	90/100/140	65	30
XL-SCI 110	15	24 42	90/100/140/180	85	35
XL-SCI 150	15	32 48	90/100/140/180	96	45
XL-SCI 190	15	38 55	90/100/140/180	115	51
XL-SCI 225	15	42 60	90/100/140/180	127	57

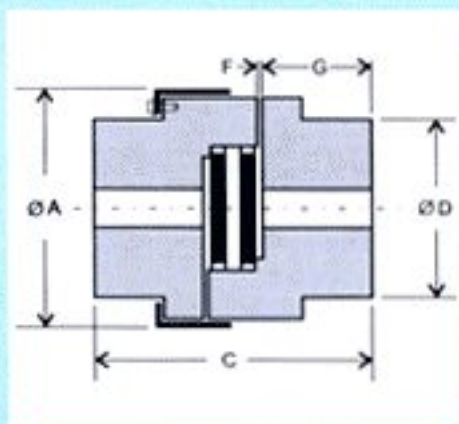


MODEL: XL - SS ALUMINIUM SPACER COUPLING WITH SNAPWRAP

COUPLING SIZE	BORE		SPACER LENGTH C	SPACER O. D. A	HUB LENGTH L	HUB DIAMETER D	GAP F
	PILOT BORE MM	MAX BORE MM					
XL-SS 95	10	28	90/100	64	25	49	2
XL-SS 100	10	38	90/100/140	77	35	57	2
XL-SS 110	15	42	90/100/140	95	43	76	3
XL-SS 150	15	48	90/100/140	110	45	80	3
XL-SS 190	15	55	90/100/140	128	54	102	3
XL-SS 225	15	60	90/100/140	141	64	108	3



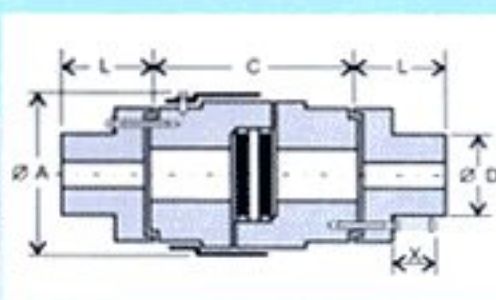
MODEL: XL - CC CUSHION COUPLING



COUPLING SIZE	BORE		OUTSIDE DIAMETER A	OVERALL LENGTH C	GAP BETWEEN JAW & BODY F	LENGTH THROUGH BORE G	HUB DIAMETER D
	PILOT BORE MM	MAX BORE MM					
XL-CC 226	25	65	143	178	3	70	115
XL-CC 276	25	75	163	200	3	80	127
XL-CC 280	25	75	200	200	3	80	140
XL-CC 295	25	90	245	238	3	95	160
XL-CC 2955	35	100	245	264	3	108	180
XL-CC 300	35	100	265	283	3	115	180
XL-CC 350	35	115	315	309	3	128	200
XL-CC 3067	40	100	262	295	3	121	178
XL-CC 3567	40	115	288	314	3	127	197
XL-CC 3667	50	125	313	353	3	143	222
XL-CC 4067	50	140	349	391	3	159	248
XL-CC 4567	50	150	400	427	6	174	273

MODEL: XL - SCC SPACER COUPLING WITH CUSHION

COUPLING SIZE	BORE		DISTANCE BETWEEN TWO SHAFTS C	OUTSIDE DIA. A	ADAPTER LENGTH L	ADAPTER DIA. D	MAX BOLT Clearance X
	PILOT BORE MM	MAX BORE MM					
XL-SCC 226	25	65	100,135,140,180	145	50	134	92
XL-SCC 276	25	75	100,135,140,180	165	60	130	107
XL-SCC 280	25	75	100,135,140,180	200	60	130	70
XL-SCC 295	30	90	100,135,140,180	249	65	160	80
XL-SCC 2955	40	90	100,135,140,180	249	80	160	80
XL-SCC 300	40	100	135,140,180	266	90	180	85
XL-SCC 350	40	115	135,140,180	317	90	200	85



All dimensions are subject to changes, in view of continuous improvement in the quality of our products.

PLEASE SEND YOUR ENQUIRIES TO:



STANDARD MATERIALS AGENCIES PVT. LTD.

ENGINEERS • MANUFACTURERS • AGENTS

45 / 46, PODAR CHAMBERS, S. A. BRELVI ROAD, MUMBAI - 400 023, INDIA.

TEL.: 022 - 2266 3262 / 2266 3202 / 2266 5309.

Email: smaexcel@bom2.vsnl.net.in, enquiry@smaexcel.com

website: www.smaexcel.com