



SUGAR MILL CHAINS

**built better
to last longer**



- Greater resistance to wear
- High strength with comparatively light weight
- Increased resistance to corrosion

CANE CARRIER CHAINS

A wide variety of 'Excel' Cane Carrier Chains are available with tensile strength from 25,000 Kgs to 63,000 Kgs.

These chains have Pins, Bushes and Rollers that provide good durability and wear resistance.

RAKE CARRIER CHAINS

'EXCEL'- Rake Carrier Chains are made from selected steels for greater strength and for good corrosion resistance with heat treated S.S. Pins.

These Chains are designed for breaking loads from 25,000 Kgs to 60,000 Kgs.

BAGASSE CARRIER CHAINS

'EXCEL'- fabricated Bagasse Carrier Chains have accurately punched holes for correct "Press Fit" with their respective pins and bushings. These chains are available with tensile strength from 20,000 Kgs to 45,000 Kgs.

INTER CARRIER CHAINS

'EXCEL'- Intermediate Carrier Chains are available in basic designs of 900 class pintle i.e. 901, 902, and 907. These chains are available in black heart malleable, cast iron, pearlitic or Stainless Steel
(for Corrosion resistance)

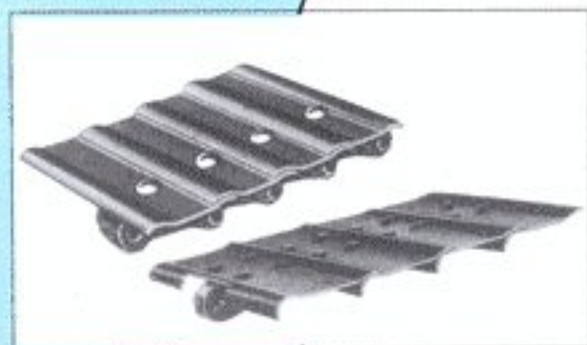
RAKE CARRIER CHAINS - FORGED

'EXCEL'- Block Forged Chains have specific advantages. The minimum number of moving parts reduce wear & tear considerably in rugged application of Sugar mill plants. It needs minimum maintenance and give high productivity.



TRANSMISSION ROLLER CHAINS

'EXCEL' Transmission Roller Chains are precision engineered quality product available as Simplex, Duplex and Triplex from 25.0 to 101.60mm pitch



SLATS FOR CANE CARRIER & INTER-CARRIER CHAINS

'EXCEL' slats are precision made to suit cane carrier, inter carrier and Bagasse carriers. These slats are accurately creased and made of prime quality steel, as per customer's design / specifications. We also manufacture Rakes for Rake Carrier chains.



SPROCKETS

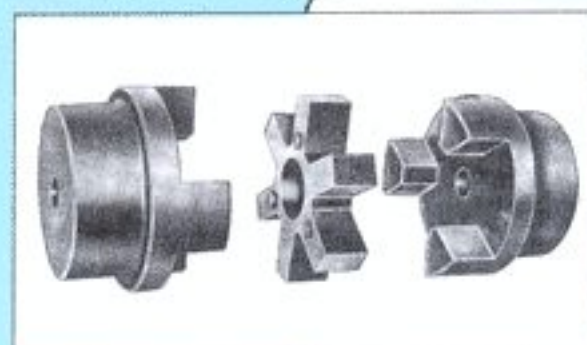
- 1) CARRIER CHAIN SPROCKETS
- 2) ROLLER CHAIN SPROCKETS
- 3) ELEVATOR CHAIN SPROCKETS

'Excel' sprockets are made from high grade steel materials, precision cut teeth, tooth forms and pitch diameter to match the chain pitch. Flame hardened teeth ensure longer sprocket & chain life.



C.I. PIN - BUSH TYPE COUPLING

'Excel' coupling available from 12mm to 150mm bore and 0.4 Kw to 74.0 Kw rating, with 3 to 8 nos of bolt holes. Also available as per customer's specifications.



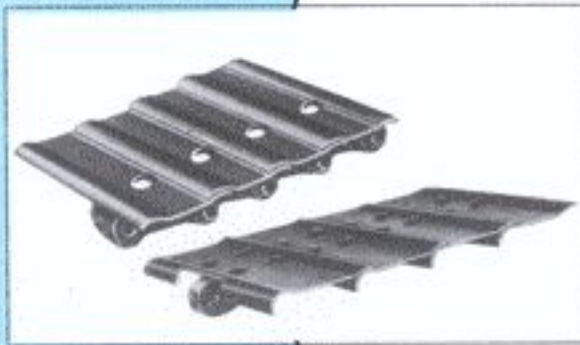
JAW TYPE COUPLING (SPIDER TYPE)

- * Simple and economic design with inherent dynamic balance.
- * Easy and quick installation and easy alignment.
- * Very long service life and no lubrication required.
- * Spider made from quality synthetic rubber (Buna - N).
- * Tested to 2.5 times the rated torque.
- * Integrally moulded rubber spider for extra strength & durability.



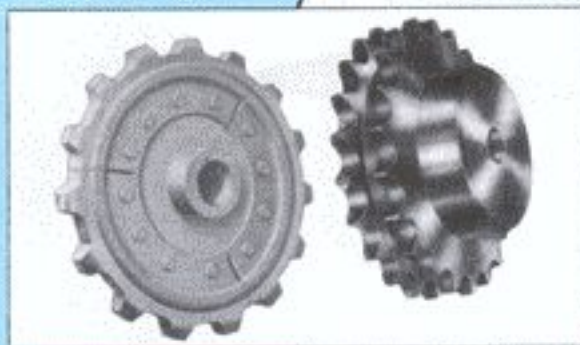
TRANSMISSION ROLLER CHAINS

'EXCEL' Transmission Roller Chains are precision engineered quality product available as Simplex, Duplex and Triplex from 25.0 to 101.60mm pitch



SLATS FOR CANE CARRIER & INTER-CARRIER CHAINS

'EXCEL' slats are precision made to suit cane carrier, inter carrier and Bagasse carriers. These slats are accurately creased and made of prime quality steel, as per customer's design / specifications. We also manufacture Rakes for Rake Carrier chains.



SPROCKETS

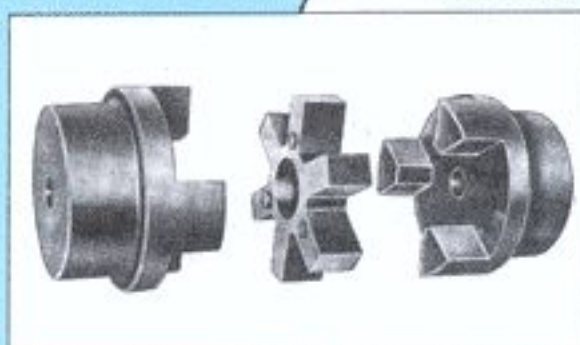
- 1) CARRIER CHAIN SPROCKETS
- 2) ROLLER CHAIN SPROCKETS
- 3) ELEVATOR CHAIN SPROCKETS

'Excel' sprockets are made from high grade steel materials, precision cut teeth, tooth forms and pitch diameter to match the chain pitch. Flame hardened teeth ensure longer sprocket & chain life.



C.I. PIN - BUSH TYPE COUPLING

'Excel' coupling available from 12mm to 150mm bore and 0.4 Kw to 74.0 Kw rating, with 3 to 8 nos of bolt holes. Also available as per customer's specifications.



JAW TYPE COUPLING (SPIDER TYPE)

- * Simple and economic design with inherent dynamic balance.
- * Easy and quick installation and easy alignment.
- * Very long service life and no lubrication required.
- * Spider made from quality synthetic rubber (Buna - N.)
- * Tested to 2.5 times the rated torque.
- * Integrally moulded rubber spider for extra strength & durability.

excel[®]



CHAIN COUPLING GEARED COUPLING

Regular type - Straight shaft and
Mill motor type - Taper & Straight shaft
Geared coupling.



TYRE TYPE COUPLING

Flexible tyre type coupling
available in Standard dimensions
from 2.3/8" to 29.3/8" and
max. bore from 1/2" to 9".



TAIL BAR COUPLING

Manufactured to
Customer's Specifications.



CROWN PINION FOR MILL ROLLER

Manufactured to customer's specifications.
Also all type of heavy spur gears, helical and worm
gears as per customer's design/drawing.



CHAIN PULLEY BLOCK

High quality Chain Pulley Blocks are
built of steel plates, rivetted construction with
no welding process, ensuring full safety. Heavy duty
steel forging hooks to withstand shock loads and
malleable casting load wheels mounted on
ball bearing. All alloy steel machine cut gears with
tested and calibrated load chains for greater safety.

FOR FURTHER ENQUIRES CONTACT THE MANUFACTURERS:

SMA[®]

STANDARD MATERIALS AGENCIES PVT. LTD.

ENGINEERS • MANUFACTURERS • AGENTS

45/46, PODAR CHAMBERS, S.A. BRELVI ROAD, MUMBAI - 400 023. (INDIA)

TEL.: 266 3262 / 266 3202 / 266 5309. FAX: 022 - 266 1545. E MAIL: smaexcel@bom2.vsnl.net.in

website: www.smaexcel.com

enquiry@smaexcel.com